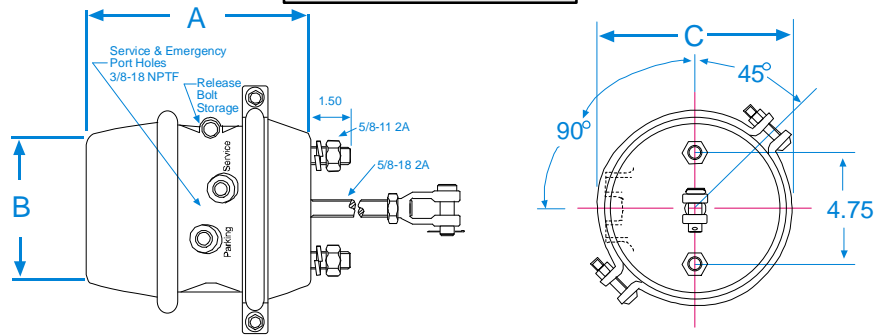




SPRING BRAKES/PS MODELS

Committed
To Quality...

TECHNICAL DATA



PART NO	SIZE	MODEL	WEIGHT	STROKE	DIM. A	DIM. B	DIM. C
12220	1624	PS	16.80 lbs	2.25 in.	8.4 in.	5.7 in.	7.3 in.
12260	2024	PS	16.80 lbs.	2.25 in.	8.6 in.	5.7 in.	7.3 in.
12360	2424	PS-LS	17.00 lbs.	2.50 in.	9.0 in.	5.7 in.	7.5 in.
12460	2430	PS-LS	18.80 lbs.	2.50 in.	9.1 in.	5.7 in.	8.1 in.
12560	3030	PS	20.10 lbs.	2.50 in.	9.5 in.	5.7 in.	8.3 in.
12660	3036	PS	24.25 lbs.	2.50 in.	10.3 in.	7.0 in.	9.0 in.
12760	3636	PS	25.60 lbs.	3.00 in.	10.8 in.	7.0 in.	9.3 in.
12860	2430	PS-ELS	19.62 lbs.	3.00 in.	10.23 in.	5.7 in.	8.1 in.
12960	3030	PS-ELS	20.50 lbs.	3.00 in.	10.31 in.	5.7 in.	8.3 in.

**LS = LONG STROKE **ELS = EXTENDED LONG STROKE **PS = PERMANENT SEAL

DESIGN FEATURES

- CHROME SILICON STEEL MAIN SPRING
- GUIDED SPRING PRESSURE PLATE
- CHROME PLATED INTERNAL PUSH ROD
- DUAL O-RING SEAL
- HEAVY DUTY PREMIUM DIAPHRAGMS
- FULL COVERAGE 11 GAGE STEEL CLAMPS
- MUSIC WIRE RETURN SPRINGS
- HEAVY 10 GAGE NON-PRESSURE HOUSING
- WELDED STUD REINFORCEMENT
- FRICITION WELDED PUSH ROD
- FORGED STEEL CLEVIS

